

Alexander

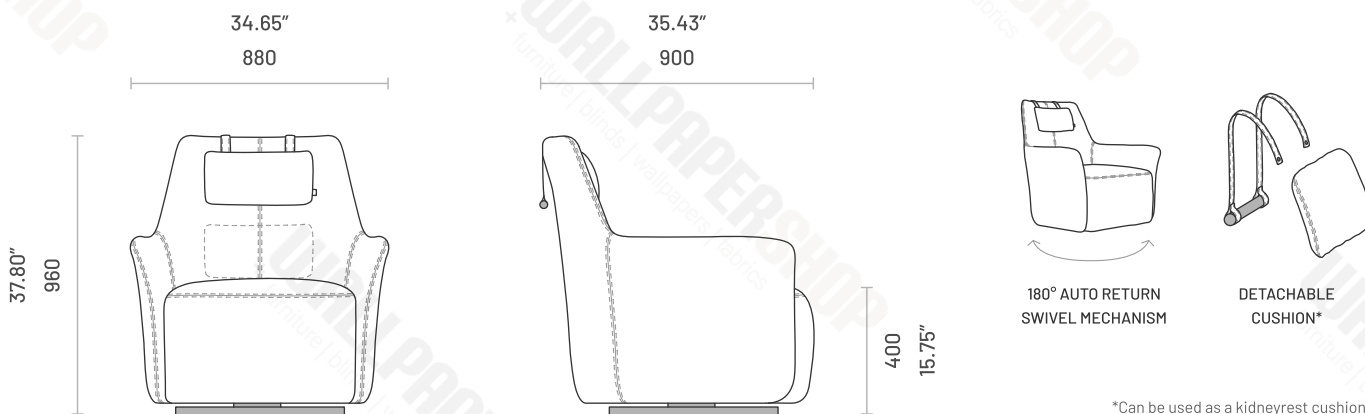
ARMCHAIR & OTTOMAN



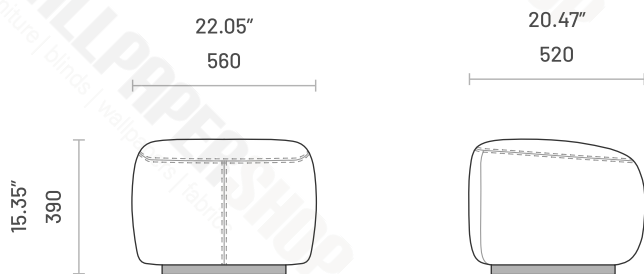
Alexander is a highly innovative solution linked to a functional and quite traditional shape. A powerful and embracing structure where a high back smoothly connects to the seat cushion and ends on a swivel base. The arms and backrest on this piece slightly arch outwards, inviting everyone to sit. The highlight goes to the additional support padding in the back, held up by a metallic opulent counterweight, that can be adjusted in height and produced in a different finish. This timeless armchair coordinates perfectly its materials in a one-of-a-kind piece, especially when presented in a cross-stitched seam.

Specifications

Dimensions



Dimensions



Technical Information

Frame

Solid pine wood, plywood and MDF

Padding

Seat: 30kg/m³, 23kg/m³, 55kg/m³ polyurethane foam and 100gr polyester fiber
 Backrest: 30kg/m³, 23kg/m³ polyurethane foam and 100gr polyester fiber
 Armrests: 30kg/m³ polyurethane foam and 100gr polyester fiber
 Ottoman: 23kg/m³, 30kg/m³, 55kg/m³ polyurethane foam and 200gr polyester fiber
 Cushion: Mixed polyester staple fiber and feathers

Materials and Finishes

Overview



Available Finishes

Finishes available for items: **1** **2**

Indoor Fabrics: Available on all indoor fabric collections

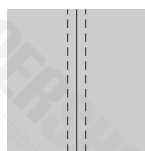
Indoor Leathers: Available on all natural and synthetic indoor leather collections except *Albany*, *Thames* and *Oder*

Finishes available for items: **3**

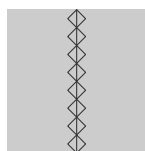
Metals: Available on all metal options

Finishes available for items: **4**

Stitch Types:



Double top stitch



Cross stitch